



INSTALLATION & SERVICE MANUAL

C6 SERIES CONTINUOUS DUTY POWER AMPLIFIER



Crescend Technologies
100 High Grove Blvd
Glendale Heights, IL 60139

Tel: 847 908 5400
Fax: 847 908 5408
Email: sales@CrescendRF.com
Web Site: www.CrescendRF.com

TABLE OF CONTENTS

Section 1

Par. No.	General Description	Page No.
1-1	Introduction	4
1-2	Product Description	4
1-3	Functional and Physical Specifications	5
1-4	Equipment Changes	5

Section 2

Installation

2-1	Introduction	8
2-2	Electrical Service Recommendations	8
2-3	Unpacking and Inspection	8
2-4	Installation Instructions	9
2-5	Amplifier Summary Alarm and Power Cutback Control	10

Section 3

General Operating Information

3-1	Introduction	11
3-2	Location and Function of Amplifier Control and Indicators	11
3-3	Initial Start-Up	12

Section 4

Principles of Operation

4-1	Introduction	13
4-2	RF Input Signal	13
4-3	RF Output Load	13
4-4	Functional Description	13
4-4.1	Main RF Path	13
4-4.2	Loop Control	13
4-4.3	VSWR Protection	13
4-4.4	Thermal Protection	13
4-5	Amplifier Cooling	13

TABLE OF CONTENTS (Continued)

Par. No.	Section 5 - Maintenance	Page No.
5-1	Introduction	14
5-2	Periodic Maintenance	14
5-3	Cleaning Air Inlets/Outlets	14
5-4	Test Equipment Required for Test	15
5-5	Performance Test	15

Section 6 - Troubleshooting

6-1	Introduction	16
6-2	Troubleshooting	16
6-3	Return for Service Procedure	17
6-3.1	Obtaining an RMA	17
6-3.2	Repackaging for Shipment	17

List of Illustrations

Figure		
1-1	C6 Series Amplifier, Front View	4
1-2	C6 Series Amplifier, Rear View	5
2-1	C6 Series Amplifier, Rear View Left	9
2-2	C6 Series Amplifier, Rear View Right	10
3-1	C6 Series Status Indicators, Front Panel	11
5-1	Amplifier Test Setup diagram	15

List of Tables

Table		
1-1	C6 Amplifier Functional Specifications	6
1-2	Frequency Ranges, Input/Output Power, Current, Spurious and Harmonics	7
2-1	Summary Alarm and Cutback Control Connections	10
3-1	C6 Series Amplifier Status Indicators	11
5-1	Periodic Maintenance	14
5-2	Test Equipment Required	15
6-1	Troubleshooting	16

1. GENERAL DESCRIPTION

1.1. INTRODUCTION

This manual contains information and procedures for installation, operation, and maintenance of Crescend's C6 Series Continuous Duty Power Amplifier. The manual is organized into six sections as follows:

- Section 1. General Description
- Section 2. Installation
- Section 3. Operating Instructions
- Section 4. Principles of Operation
- Section 5. Maintenance
- Section 6. Troubleshooting

1.2. PRODUCT DESCRIPTION

The Crescend Technologies C6 Series of RF power amplifiers are designed for trunking and conventional repeater applications. Rack mountable and designed to accept a range of input powers for a given rated output power, each amplifier covers a broad range of frequencies without retuning. Closed loop power control is used to maintain a constant output power under varying voltage, signal input, frequency and output load conditions. Several design features work to protect the amplifier under adverse conditions.

Designed to fit in 10 inches of rack space, the C6 front panel includes status LED indicators for DC and Alarm conditions. RF Input, RF Output, DC, summary alarm and power cutback connections are found on the back of the amplifier. A rear mounted fan brings in air from the back and blows the air across the heat sink fins exiting out the sides of the amplifier.

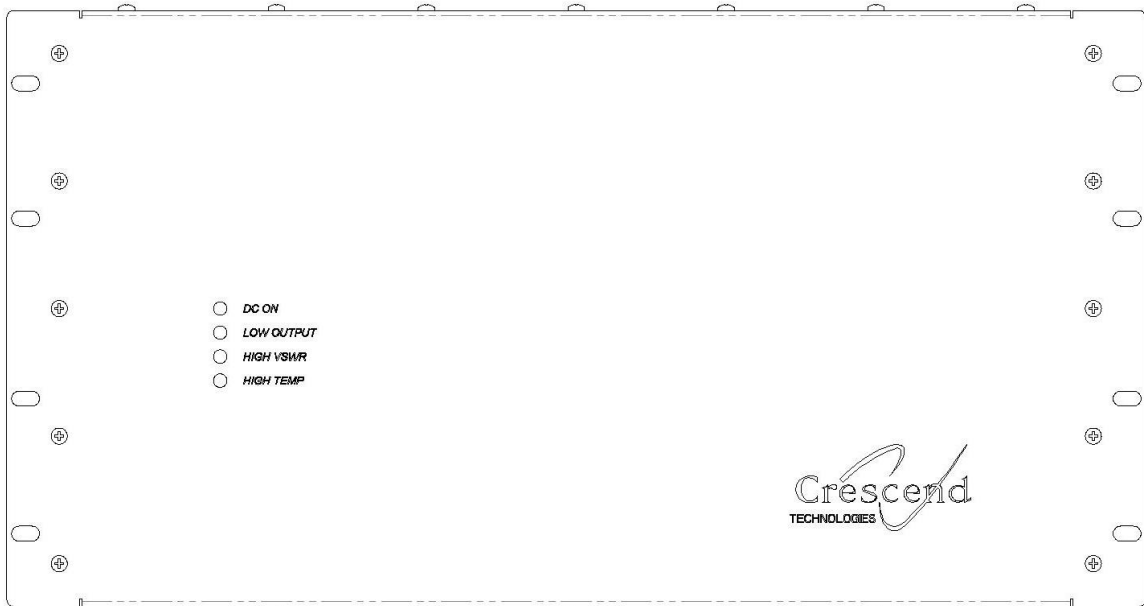


Figure 1-1. C6 Series Amplifier, Front View

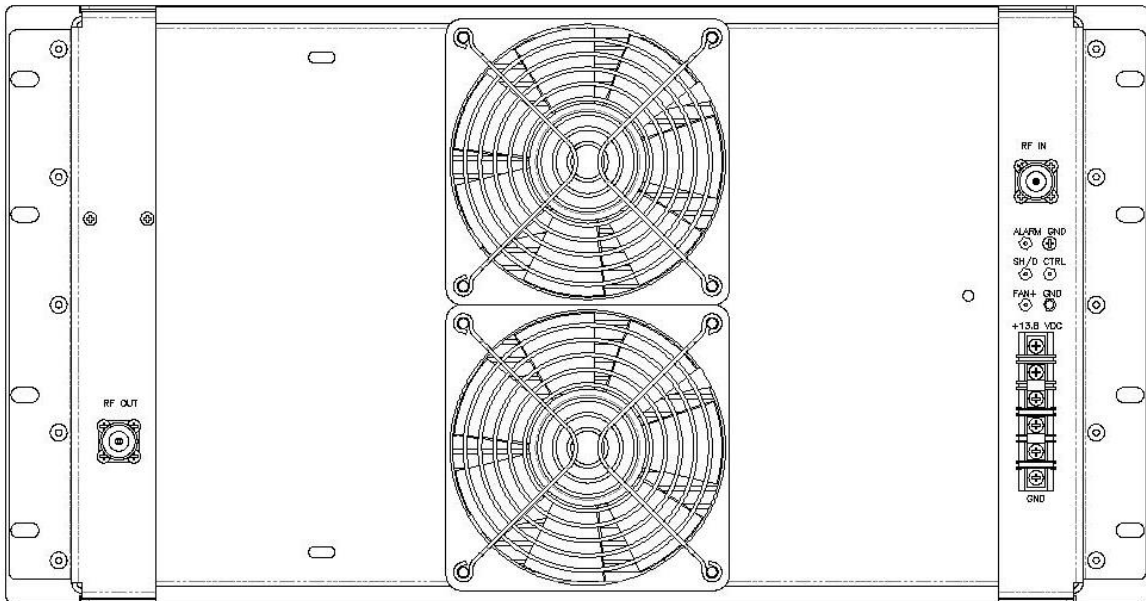


Figure 1-2. C6 Series Amplifier, Rear View

1.3. FUNCTIONAL AND PHYSICAL SPECIFICATIONS

Functional and physical specifications for the C6 Series amplifiers are listed in Tables 1-1 and 1-2.

1.4. EQUIPMENT CHANGES

Crescent Technologies, Inc. reserves the right to make minor changes without notice, including, but not necessarily limited to, component substitution and circuitry changes. Such changes may or may not be incorporated in this manual, although it is our intention to keep each manual as up-to-date as possible. To that end, we ask that you, our customer, share information with us acquired in field situations, which might be of assistance to another user.

Table 1-1. C6 Series Amplifier Functional Specifications

Frequency Range:	See Table 1-2 (Range Set at Factory)
Operating Voltage:	+13.8 ±0.7 Vdc
Current Consumption:	See Table 1-2
Duty Cycle:	100%
Power Input:	See Table 1-2 (Range Set at Factory)
Power Output (Single Carrier Operation):	See Table 1-2 (Range Set at Factory)
Input Return Loss:	>10 dB
Spurious & Harmonics:	See Table 1-2
Input/Output Impedance:	50 Ohms (Nominal)
Load VSWR Tolerance:	VSWR Protected above 2.5:1
Input/Output Connector:	Type N Female
Vertical Mounting:	10.0 in
Horizontal Mounting:	19.0 in
Depth:	6.0 in
Weight:	14 lbs (6.4 kg) (Nominal)
Cooling Method:	Fan Forced Air Over Heat Sink
Operating Temp. Range:	-30°C to +60 °C
Storage & Transport:	-40 °C to +70 °C
Humidity:	80% at +40 °C (Non-Condensing)
Altitude:	10,000 Feet (Maximum)
Front Panel Display:	INDICATORS DC ON (Green), LOW OUTPUT (Red), HIGH VSWR (Red), OVER TEMP (Red)
Alarm and Control Pins:	SUMMARY ALARM Summary of Low Output, High VSWR, Over Temp Alarms CONTROLS CTRL (External Power Cutback)

Table 1-2. Frequency Ranges, Input/Output Power, Current, Spurious and Harmonics

Frequency Range (MHz)	Input Power Range (W)	Rated Output Power (W)	Typ Current (A)	Max Current (A)	Spurious and Harmonics (dBc)
403 – 450 (UL) 450 – 512 (UH)	0.1-0.2 0.2-0.5 0.5-1 1-2 2-5 5-10 10-20 20-50	150 (P15)	38	43	≤-70
764 - 870 (JK)	0.1-0.2 0.2-0.5 0.5-1 1-2 2-5 5-10 10-20 20-40	150 (P15)	38	43	≤-70
890 - 942 (LW)	0.1-0.2 0.2-0.5 0.5-1 1-2 2-5 5-10 10-20 20-40	140 (P15)	38	43	≤-70

NOTES: Manufacturer's Rated Output Power of this Equipment is for Single Carrier Operation.

All specifications above apply at +13.8V ± 0.1V DC operating voltage, ambient temperature of 25°C ± 5°C.

2. INSTALLATION

2.1. INTRODUCTION

This section contains installation recommendations, unpacking, inspection, and installation instructions for the C6 series of amplifier. Carefully read all material in this section prior to equipment unpacking or installation. Also read and review the operating procedures in Section 3 prior to installing the equipment. It is important that the licensee perform these tasks correctly and in good faith. If applicable, carefully read Parts 73 and 74 of the Federal Communications Commission (FCC) rules to determine how they apply to your installation. **DON'T TAKE CHANCES WITH YOUR LICENSE.**

2.2. ELECTRICAL SERVICE RECOMMENDATIONS

Crescend Technologies recommends that proper AC line conditioning and surge suppression be provided on the primary AC input to the +13.8 Vdc power source. All electrical service should be installed in accordance with the National Electrical Code, any applicable state or local codes, and good engineering practice. Special consideration should be given to lightning protection of all systems in view of the vulnerability of most transmitter sites to lightning. Lightning arrestors are recommended in the service entrance. Straight, short ground runs are recommended. The electrical service must be well grounded.

Each amplifier system should have its own circuit breaker, so a failure in one does not shut off the whole installation. Circuit breakers should be thermal type, capable of handling an inrush current of 90 Amps, in a load center with a master switch.

2.3. UNPACKING AND INSPECTION

This equipment has been operated, tested and calibrated at the factory. Only in the event of severe shocks or other mistreatment should any substantial readjustment be required. Carefully open the container(s) and remove the amplifier module(s). Retain all packing material that can be reassembled in the event that the unit must be returned to the factory.

CAUTION: Exercise care in handling equipment during inspection to prevent damage caused by rough or careless handling.

Visually inspect the amplifier module for damage that may have occurred during shipment. Check for evidence of water damage, bent or warped chassis, loose screws or nuts, or extraneous packing material in the connector or fans. Inspect the rear panel connector for bent connector pins. If the equipment is damaged, a claim should be filed with the carrier once the extent of any damage is assessed. We cannot stress too strongly the importance of IMMEDIATE careful inspection of the equipment and the subsequent IMMEDIATE filing of the necessary claims against the carrier if necessary. If possible, inspect the equipment in the presence of the delivery person. If the equipment is damaged, the carrier is your first area of recourse. If the equipment is damaged and must be returned to the factory, write or phone for a return authorization. Crescend may not accept returns without a return authorization. Claims for loss or damage may not be withheld from any payment to Crescend, nor may any payment due be withheld pending the outcome thereof. **WE CANNOT GUARANTEE THE FREIGHT CARRIER'S PERFORMANCE.**

2.4. INSTALLATION INSTRUCTIONS

The C6 amplifier is designed for installation in a rack that permits access to the rear of the rack for connection of DC power, RF, and monitor/control cables. The amplifier must have a minimum of 3 inches of open space behind the rear panel to allow adequate ventilation.

To install the amplifier, proceed as follows:

1. Install amplifier in equipment rack and secure in place.
3. Connect 50-ohm antenna cable to RF OUT connector on rear of amplifier.
4. Connect the transceiver/exciter output to RF IN connector on rear of amplifier.
5. If monitoring of PA is desired, connect alarm cable to "Alarm" pin on rear of amplifier module. See section 2.5 for more details.
6. If output power control of PA is desired, connect control cable or appropriate resistor to "CTRL" pin on rear of amplifier module. See section 2.5 for more details.

WARNING: Turn off external primary DC power before connecting DC power cables.

7. Connect positive primary power wire (+13.8VDC) to terminal marked +13.8VDC and negative primary power wire to GND terminal on rear of amplifier. Wires must be connected to both positive and both negative clamps at the back side of chassis, and two pairs of identical wires must go to the power supply output. Keep wiring as short as possible and of appropriate gauge.
8. Check your work before applying DC voltage to the system. Make certain all connections are tight and the DC wires are going to the correct terminals.
8. Measure primary DC input voltage. DC input voltage should be +13.8 Vdc +/- 0.1 Vdc.
9. Refer to Section 3 for initial start-up procedures.

NOTE:

1. Make sure power supply DC is well filtered and well behaved with minimal voltage overshoot.
2. Keep DC wires as short as possible to minimize inductance induced voltage transients.
3. Size DC Wires properly to handle the load current to minimize voltage drop.

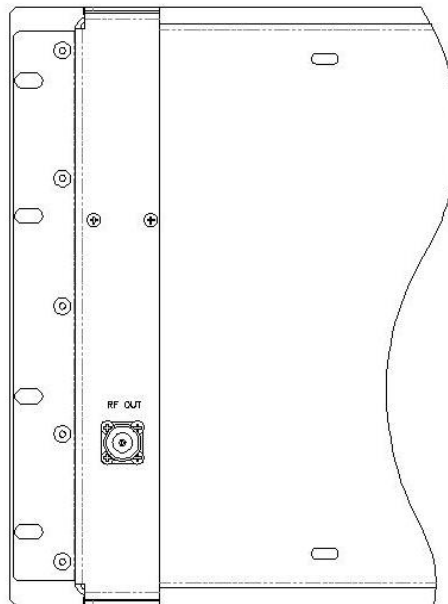


Figure 2-1. C6 Series Amplifier, Rear View Left

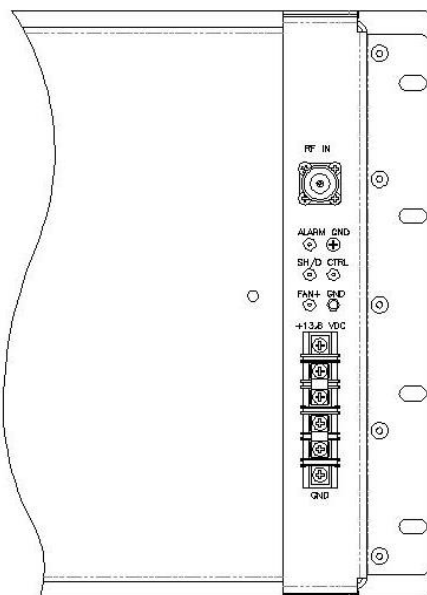


Figure 2-2. C6 Series Amplifier, Rear View Right

2.5. AMPLIFIER SUMMARY ALARM AND POWER CUTBACK CONTROL

The summary alarm and cutback control connections are made through separate filtered feedthrough connectors on the back of the amplifier.

Table 2-1. Summary Alarm and Cutback Control Connections

PIN	FUNCTION	DESCRIPTION	CONDITION	APPROPRIATE LOAD
ALARM	Summary Alarm	<p>“Open Collector” Output.</p> <p>Indicates when;</p> <ul style="list-style-type: none"> - The output power is low, or - VSWR cutback is activated, or - Thermal cutback is activated. 	<p>Normal operation: The output is open (HIGH);</p> <p>Alarm: The output is closed (LOW).</p>	The voltage at the pin shall not exceed 16 V; the incoming current shall not exceed 6 mA.
CTRL	External Power Control	It is possible to reduce the output power continuously by up to 4 dB by connecting a resistor between this pin and ground.	<p>Normal Operation – Pin not connected.</p> <p>Power Control Mode – Pin pulled to ground through resistor.</p>	Any resistor value, <100 pF
SH/D	Relay	Used for T/R Switch and Bypass Relay options	<p>Normal Operation – Pin not connected.</p> <p>Relay Installed – Pin used for internal wiring,</p>	N/A

3 GENERAL OPERATING INFORMATION

3.1. INTRODUCTION

This section contains operating instructions for the C6 Amplifier.

3.2 LOCATION AND FUNCTION OF AMPLIFIER MODULE STATUS INDICATORS AND POWER CONTROL

The location and function of the C6 amplifier status indicators and is shown in Figure 3-1 and described in detail in Table 3-1.

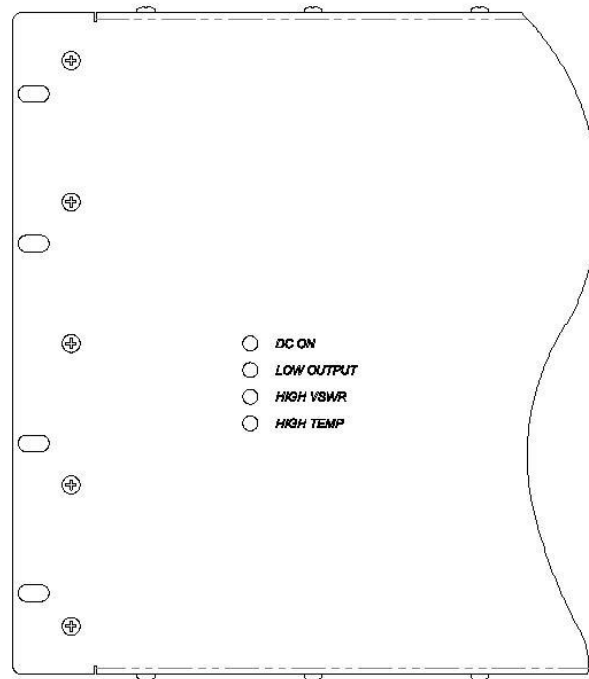


Figure 3-1. C6 Series Status Indicators, Front Panel

Table 3-1. C6 Series Amplifier Status Indicators

STATUS LED	FUNCTION
DC ON	Green LED. Illumination indicates DC Power has been applied.
LOW OUTPUT	Red LED. Activates when the output power drops to approximately 80% of set output power.
HIGH VSWR	Red LED. Activates when load VSWR exceeds 2.5:1.
HIGH TEMP	Red LED. Activates when the amplifier exceeds a safe operating temperature (+ 85°C at heatsink).

3.3. INITIAL STARTUP

To perform the initial start-up, proceed as follows:

Check to ensure that all input and output cables are properly connected and tightened.

Note: Use high quality coaxial cable and connectors. Properly install and solder all connectors for reliability.

CAUTION: Before applying power, make sure that the input and output of the amplifier are properly terminated in 50 ohms. **Do not operate the amplifier without a load attached.** Refer to Table 1-2 for input power requirements. Excessive input power will damage the amplifier.

NOTE: The output coaxial cable between the amplifier and the antenna must be 50-ohm coaxial cable. Consider using a properly sized isolator after the amplifier for addition protection from poor loads and from reverse intermodulation issues at heavily loaded sites.

2. Verify that power supply measures 13.8 ± 0.1 Vdc. Apply DC power to the amplifier(s). Do not apply an RF signal to the amplifier system. The fan will come on for a few seconds and then turn off.
3. Visually check the indicators on each amplifier module, and verify the following:
 - a. The DC PWR ON indicator (green) should be on.
 - b. All ALARM LED indicators (red) should be off.
4. Turn on external exciter/transceiver and apply RF input signal. The fan should turn on after approximately 3 seconds.
5. Turn off RF input signal. The fan should continue running, but turn off after approximately 6-8 seconds.

4. PRINCIPLES OF OPERATION

4.1. INTRODUCTION

This section contains principles of operation of the C6 Series of RF Power Amplifiers.

4.2. RF INPUT SIGNAL

C6 amplifiers are set at the factory to work in different input ranges. The available range of inputs for different frequency ranges may be found in Table 1-2.

4.3. RF OUTPUT LOAD

The load impedance should be as good as possible ($VSWR < 1.2:1$) in the working band for good power transfer to the load and maximum amplifier efficiency.

4.4. FUNCTIONAL DESCRIPTION

The C6 amplifier is a single channel CW amplifier that operates in various frequency bands. The amplifier specifications are listed in Tables 1-1 and 1-2.

4.4.1. MAIN RF PATH

The typical C6 main RF path consists of an input attenuator, driver, splitter, final(s), combiner, rf detectors and harmonic filter. The circuitry becomes active upon sensing of rf input power. This keeps standby current at a minimum.

4.4.2. LOOP CONTROL

The loop control circuitry includes circuitry to works to maintain a constant output power versus variations in DC voltage, rf input power, frequency and load. A coupled detector at the output monitors the final RF output level and generates a DC voltage proportional to the RF output level. This voltage is fed back to the controller. The circuitry compares this voltage to a reference voltage and varies the gain of the amplifier to maintain a constant output.

4.4.3. VSWR PROTECTION

Reflected power is detected at the output of the amplifier and compared to forward power. When reflected power reaches an equivalent VSWR of approximately 2.5:1, the amplifier output is reduced to protect the finals and the front panel HIGH VSWR LED activates. The higher the load VSWR, the more the output power is reduced.

4.4.4. THERMAL PROTECTION

The heat sink temperature is monitored with a thermostat. When the heat sink temperature reaches an unsafe level, the output power of the amplifier is reduced by approximately 30%. This keeps the channel on the air while still providing some short term protection until the underlying cooling issue can be addressed by the customer.

4.5. AMPLIFIER COOLING

The C6 amplifier is cooled with forced air over a large heat sink. Two fans, located on the rear of the amplifier and switched on and off with rf input power (3 seconds delay from detection of RF and 8 seconds hang after RF is removed), draw ambient air in from the back of the amplifier and forces it over the heat sink. The rear baffle forces the air to run over the fins and exit on each side of the amplifier. It is important to keep a minimum clearance of 3 inches behind the fan and allow the coolest air possible to circulate through the fan.

5. MAINTENANCE

5.1. INTRODUCTION

This section contains periodic maintenance and performance test information for the C6 Series. It also contains a list of test equipment required to perform various tests.

NOTE: Check your sales order and equipment warranty before attempting to service or repair the unit. Do not break the seals on equipment under warranty or the warranty will be null and void. Do not return equipment for warranty or repair service until proper shipping instructions are received from the factory.

5.2. PERIODIC MAINTENANCE

Periodic maintenance requirements are listed in Table 5-1. Table 5-1 also lists the intervals at which the tasks should be performed.

WARNING: Wear proper eye protection to avoid eye injury when using compressed air.

Table 5-1. Periodic Maintenance

TASK	INTERVAL	ACTION
Clean Air Vents/Check Fan	30 Days	Inspect and clean per paragraph 5-3. Verify fan is working properly.
Inspect Cables and Connectors and General Site Conditions	6 Months	Inspect signal and power cables for frayed insulation and proper attachment. Check RF connectors to make sure that they are tight. Inspect the lightning protection system and ground at the site.

5.3. CLEANING AIR INLETS/OUTLETS

The air inlets and outlets should be checked every 30 days and cleaned if necessary. If the equipment is operated in a severe dust environment, it should be checked and cleaned more often. If dust and dirt are allowed to accumulate, the cooling efficiency will be diminished. Using either compressed air or a brush with soft bristles, loosen and remove accumulated dust and dirt from the air inlet panels.

Check that the fan is running smoothly. A slow running or noisy fan may indicate an imminent fan failure. Replace immediately with a similar to insure long term reliability. Heat is one of the biggest factors in reducing the reliability of your amplifier. Make sure the fan has access to cool and clean airflow within the rack.

5.4. TEST EQUIPMENT REQUIRED FOR TEST

Test equipment required to test the amplifier performance is listed in Table 5-2. Equivalent test equipment may be substituted for any item.

NOTE: All RF test equipment must be calibrated to 0.05 dB resolution. Any deviation from the nominal attenuation must be accounted for and factored into all output readings.

Table 5-2. Test Equipment Required (or equivalent)

EQUIPMENT	MANUFACTURER	MODEL
Signal Generator (1)	HP	8657B
30 dB Attenuator, 200 Watt (1)	Tenuline	8322
DC power supply (1)	HP	6673A
Spectrum Analyzer (1)	HP	8560E
Power Meter (1)	HP	E4418A
Power Meter (1)	HP	E4419A
Power Sensor (3)	HP	8481A
Pad (3)	Mini-Circuits	NAT-20
Coupler (2)	Narda	3020A
Coupler Load (1)		
Lab Amplifier (1)	AR	30W1000M7

5.5. PERFORMANCE TEST

Performance testing may be conducted to ensure that the amplifier system meets the operational specifications listed in Tables 1-2 and 1-3. The test equipment required to perform the testing is listed in Table 5-2 and the test setup is shown in Figure 5-1. All equipment should be in proper calibration to insure accurate measurements.

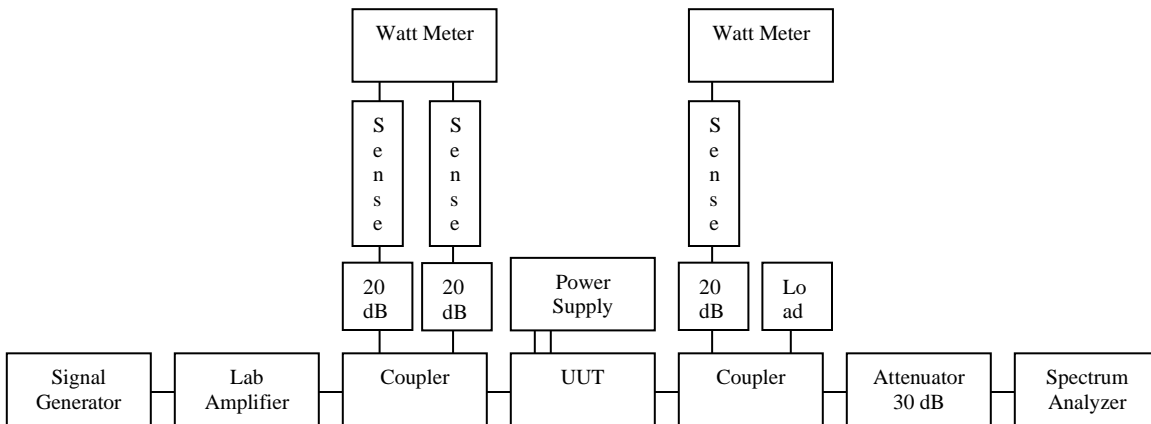


Figure 5-1. Amplifier Test Setup Diagram

6. TROUBLE SHOOTING

6.1. INTRODUCTION

This section contains a list of potential problems and suggested actions to be taken. If the suggested corrective action does not eliminate the problem, please contact your Crescend factory for further instructions.

NOTE: Check your sales order and equipment warranty before attempting to service or repair the unit. Do not break the seals on equipment under warranty or the warranty will be null and void. Do not return equipment for warranty or repair service until proper shipping instructions are received from the factory.

6.2. TROUBLESHOOTING

Refer to Table 6-1 for troubleshooting suggestions. It has been found that in some cases it may be necessary to power cycle an amplifier (turn DC power off and back on without RF applied) to clear an alarm.

Table 6-1. Troubleshooting

INDICATOR	LED STATUS	OUTPUT POWER STATUS	POSSIBLE CAUSE	SUGGESTED ACTIONS
DC PWR ON (Green)	Unlit	No power	No voltage at unit	1. Check power supply voltage
	On	Set power	Normal operation	1. No action required
LOW OUTPUT (Red)	On (all other alarm LEDs off)	Less than set power	Frequency is out of range	1. Check frequency
			The input power is below the low end of the rated input range	1. Check input power
			Power supply voltage is too low	1. Check power supply voltage at amplifier during key-up
	Problem inside amplifier		1. Send the unit back to factory	
	On (together with HIGH VSWR alarm LED)		Output load VSWR is much above 2.5:1	1. Turn off amplifier (or remove RF input) 2. Check output connections and cables for integrity and tightness 3. Check antenna, combiner, etc. for proper return loss
HIGH VSWR (Red)	On	Less than set power	Output load VSWR is above 2.5:1	1. Turn off amplifier (or remove RF input) 2. Check output connections and cables for integrity and tightness 3. Check antenna, combiner, etc. for proper return loss
OVER TEMP (Red)	On	Less than set power	Power supply voltage is too low causing insufficient air flow	1. Check power supply voltage
			Operating temperature of amplifier is exceeding safe level. Note: When unit cools, LED turns off and output returns to rated power	1. Make sure that air access to front and rear of unit is unimpeded 2. Verify that air vents are clear of dust and dirt and that fan(s) are operating properly. Replace fan if necessary 3. Check ambient temperature (not to exceed spec - see Table 1-2)

6.3. RETURN FOR SERVICE PROCEDURES

When returning products to Crescend, the following procedures will ensure optimum response.

6.3.1. OBTAINING AN RMA

A Return Material Authorization (RMA) number must be obtained prior to returning equipment to the factory for service. Please contact our Customer Service Department at 800-872-6233 to obtain this number. Failure to obtain this RMA number may result in considerable delays in receiving repair service.

6.3.2. REPACKAGING FOR SHIPMENT

To ensure safe shipment of the amplifier, it is recommended to use the packaging designed for the amplifier. The original packaging material is reusable. If it is not available, contact Crescend's Customer Service Department for packing materials and information.